



پوروشات
POROSHAT
 filter

EPA, HEPA and ULPA Filters

EN1822: E10-U17

Media Type: Glass Fiber

Frame Material: Galvanized Steel, Stainless Steel, Aluminum, Plastic

Gasket Material: Silicone, Polyurethane, EPDM, Neoprene

Recommended Final Pressure Drop: 750 pa

Features:

High Flow Rate and dirt holding capacity

Moisture-resistant

Low pressure drop

Long Life time



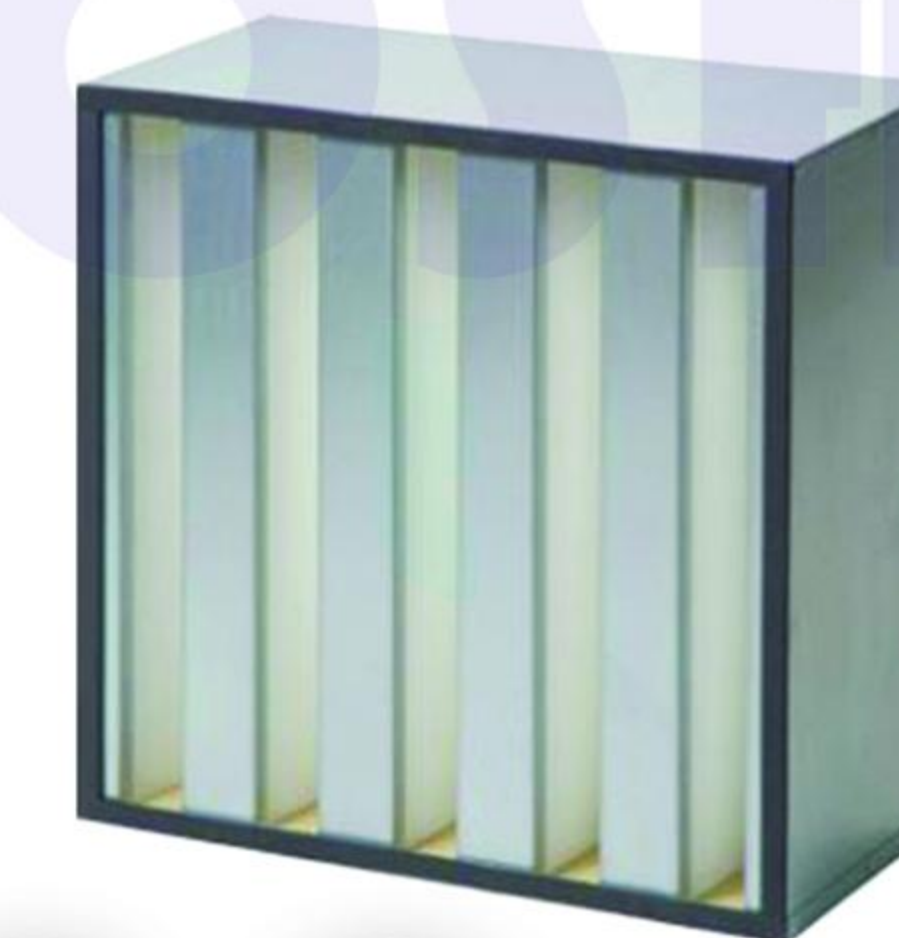
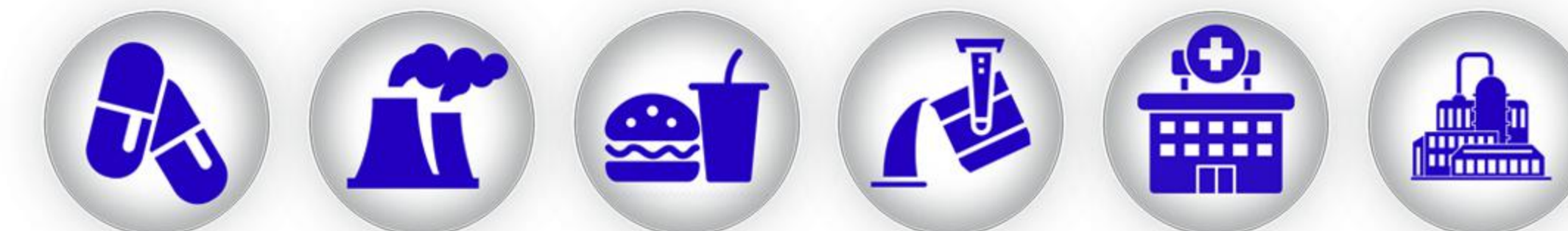
FILTER GROUP	FILTER CLASSIFICATION	EFFICIENCY (%) @MMPS		PENETRATION (%) @MMPS	
		Overall Value	Local Value	Overall Penetration	Local Penetration
EPA	EN 1822				
	E10	85	-	15	-
	E11	95	-	5	-
HEPA	E12	99.95	-	0.5	-
	H13	99.95	99.75	0.05	0.25
	H14	99.995	99.975	0.005	0.025
OLPA	U15	99.9995	99.9975	0.0005	0.0025
	U16	99.99995	99.99975	0.00005	0.00025
	U17	99.999995	99.99999	0.000005	0.0001

EPA Filter: Efficient Particulate Air Filter
 Hepa Filter: High Efficiency Particulate Air Filter
 ULPA Filter: Ultra Low Penetration Air Filter

Filteration of



Applications



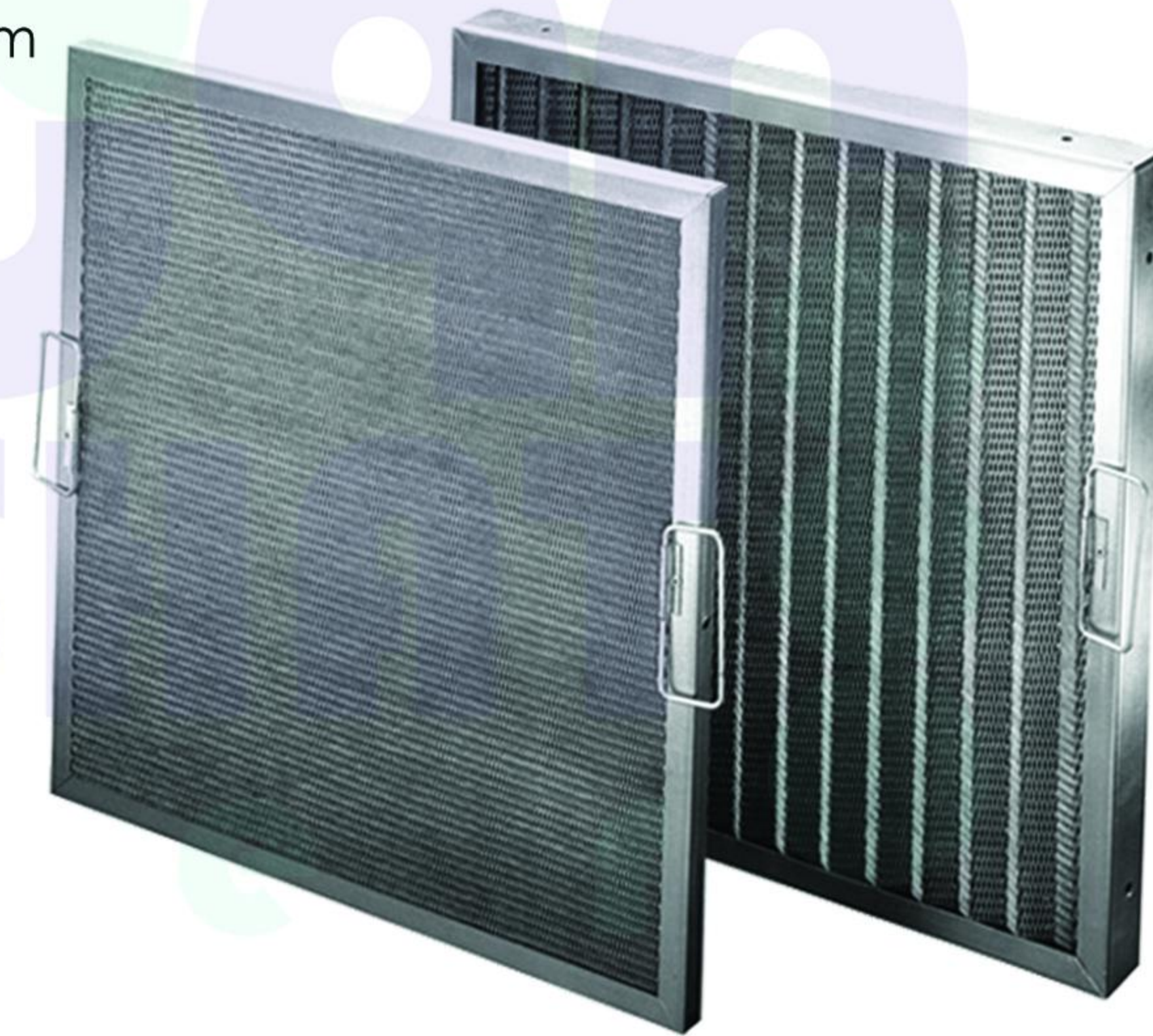
Panel filters

EN779: G4-F9
Media Type: Synthetic, Activated Carbon
Frame Material: Galvanized Steel, Stainless Steel, Aluminum, Card Board
Recommended Final Pressure Drop: 450 pa
Features:
variety of media thickness and density
moisture-resistant
Low pressure drop
Long Lifetime



Metal Panel Filters

EN779: G2-G3
Media Type: Galvanized steel, Stainless steel, Aluminum
Frame Material: Aluminum, stainless steel AISI 304L, stainless steel AISI 316L, galvanized Steel
Features:
Lightweight construction
Washable & Reusable



2
Filtration of

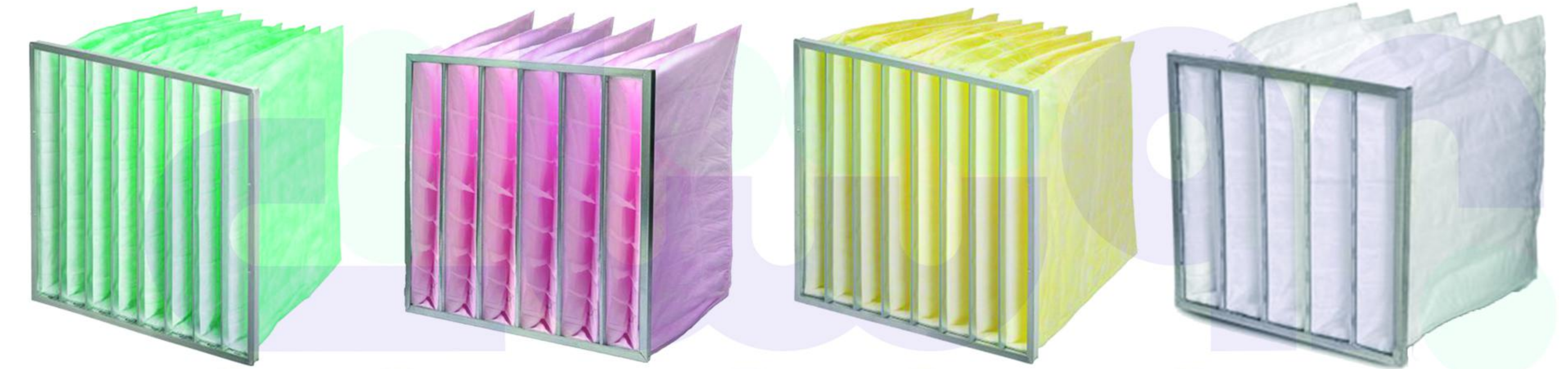


Applications



Bag Filters

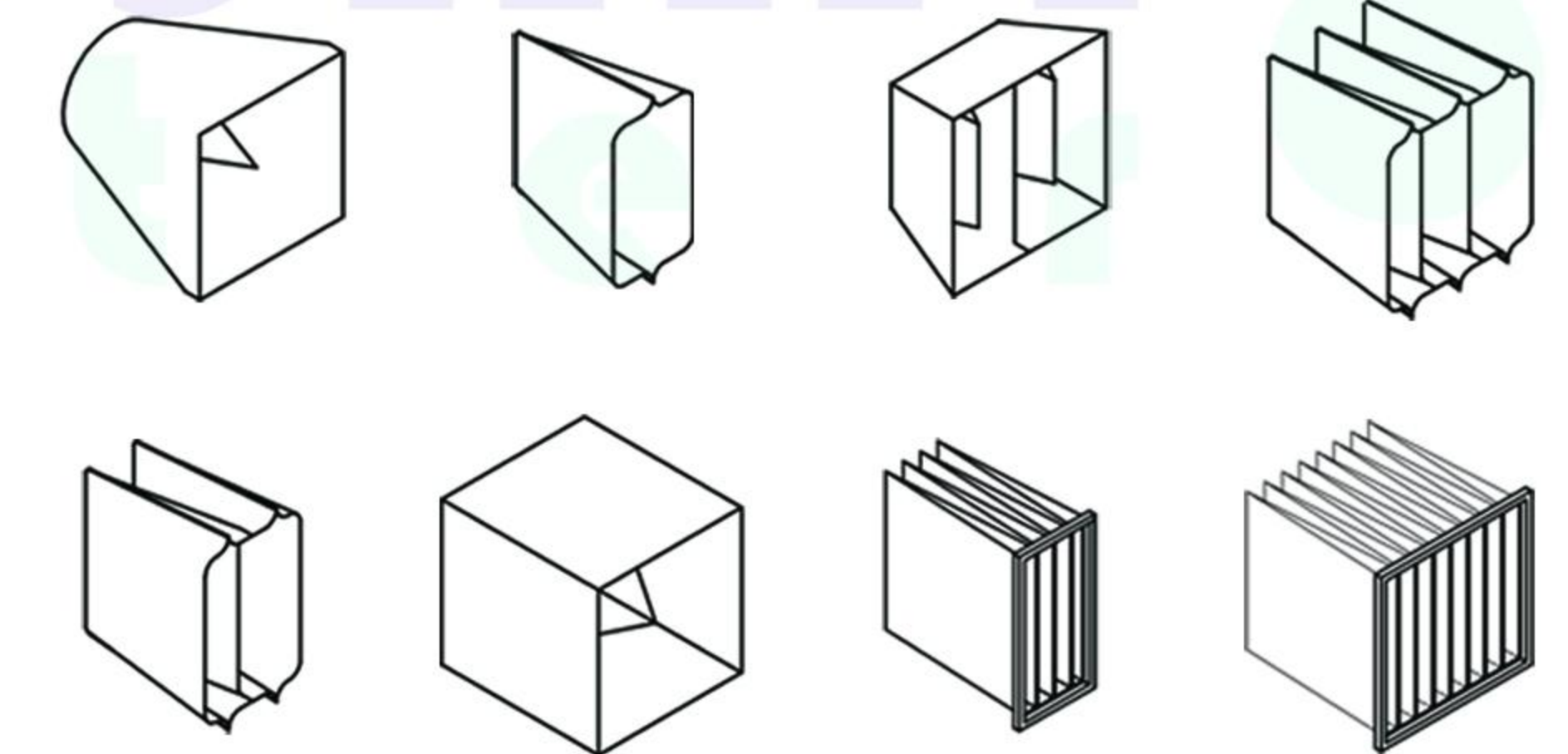
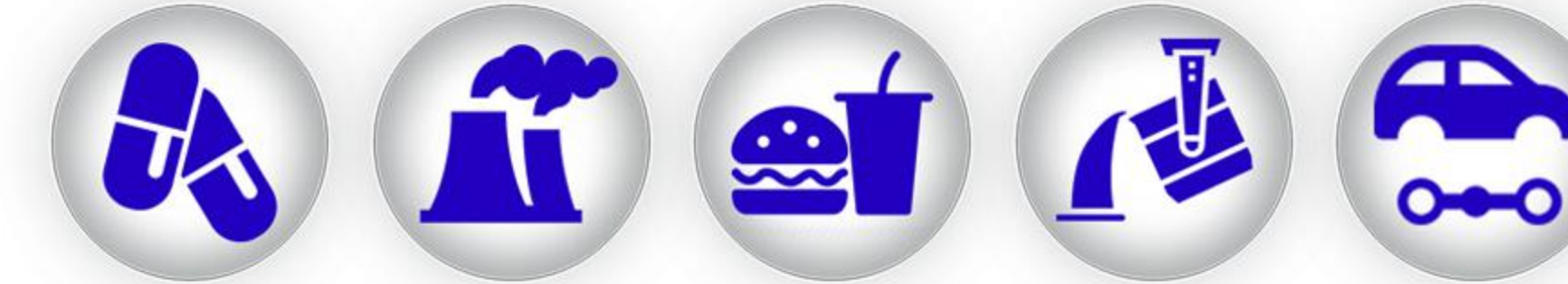
EN779: G4-F9
Media Type: Multilayer Synthetic
Frame Material: Galvanized Steel, Stainless Steel, Aluminum
Recommended Final Pressure Drop: 450 pa
Features:
moisture resistant
Low pressure drop
Long Lifetime



3
Filtration of



Applications



Media Pads & Rolls

EN799: G2-M5

Media Type: Glass Fiber – Synthetic Fiber

Recommended Final Pressure Drop: 250 pa

Features:

variety of media thickness and density
high Flow Rate and dirt holding capacity
Long Lifetime



Progressive Density
Media Construction



4
Filtration of



Applications



Gas Filtration and Separation

Gas-Liquid Coalescer Filters

Filter rating range from 0.3 micron to 10 micron

Coalescing Media: Micro glass Fiber

Drain Layer: Woven/Non Woven Synthetic Media

Caps and Body Material: Galvanized Steel, Stainless steel

Gasket material: NBR, Polyurethane, Industrial Needle Felt



Dry Gas Filter Cartridge Elements

Filter rating range from 5 micron to 100 micron

Coalescing Media: Polypropylene, Polyester,

Composite Synthetic, Cellulose

Caps and Body Material: Galvanized Steel

Gasket material: NBR, Polyurethane, Industrial Needle Felt

Features:

High Flow Rate

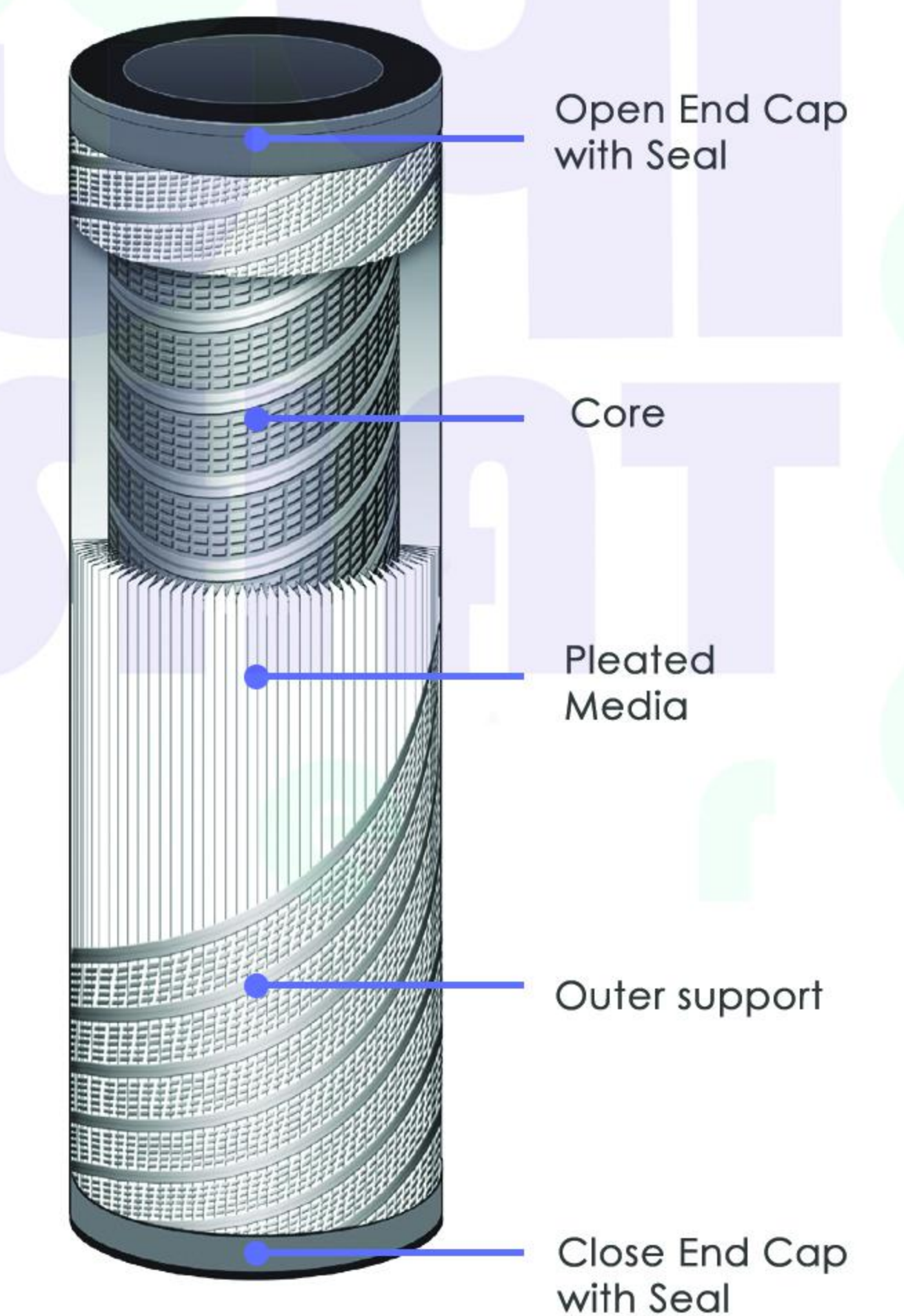
High dirt holding capacity

Low cost

5
Filtration of



Applications



GAS TURBINE AIR INTAKE FILTRATION SYSTEM

Conical and Cylindrical Air Filter Cartridge

EN779: M6-F9

Media Type: Cellulose + synthetic, 100% synthetic, Cellulose + synthetic + Nano

Caps and Body Material: Galvanized Steel, Stainless Steel, Aluminum

Gasket Material: polyurethane, EPDM, Neoprene

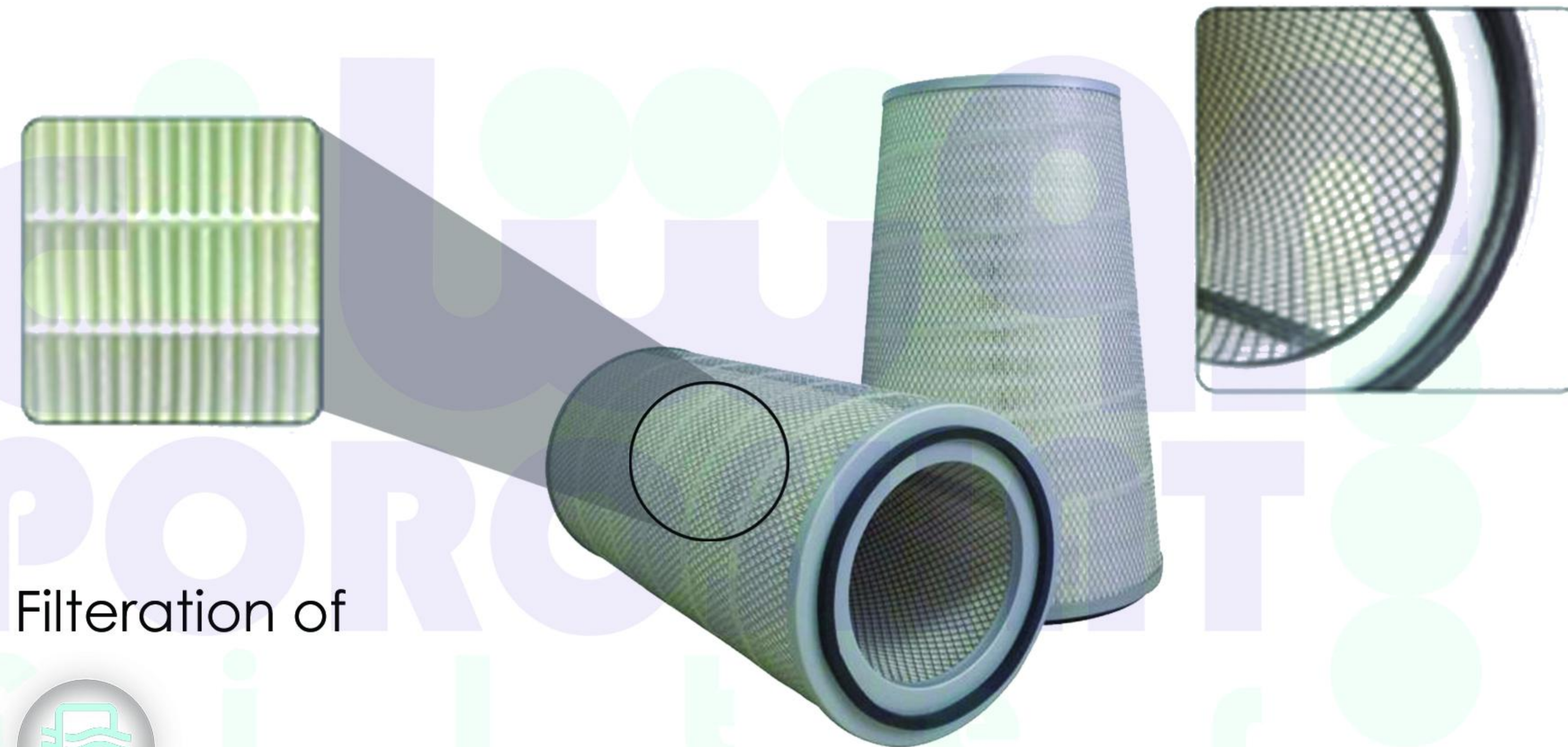
Recommended Final Pressure Drop: 750 pa

Features:

Proper for Self cleaning pulse systems

High arrestance performance

Large dust holding capacity



6 Filtration of



Applications



Poroshat Filter has air filter solutions for all environments



Desert

Hot and dry with heavy concentration of blowing sand



Coastal

Corrosive moisture and high humidity



Tropical

High temperature and humidity



Offshore

Salty corrosive moisture, high humidity and occasional heavy fog



Arctic

Dry air, snow and frost can block filters



Urban

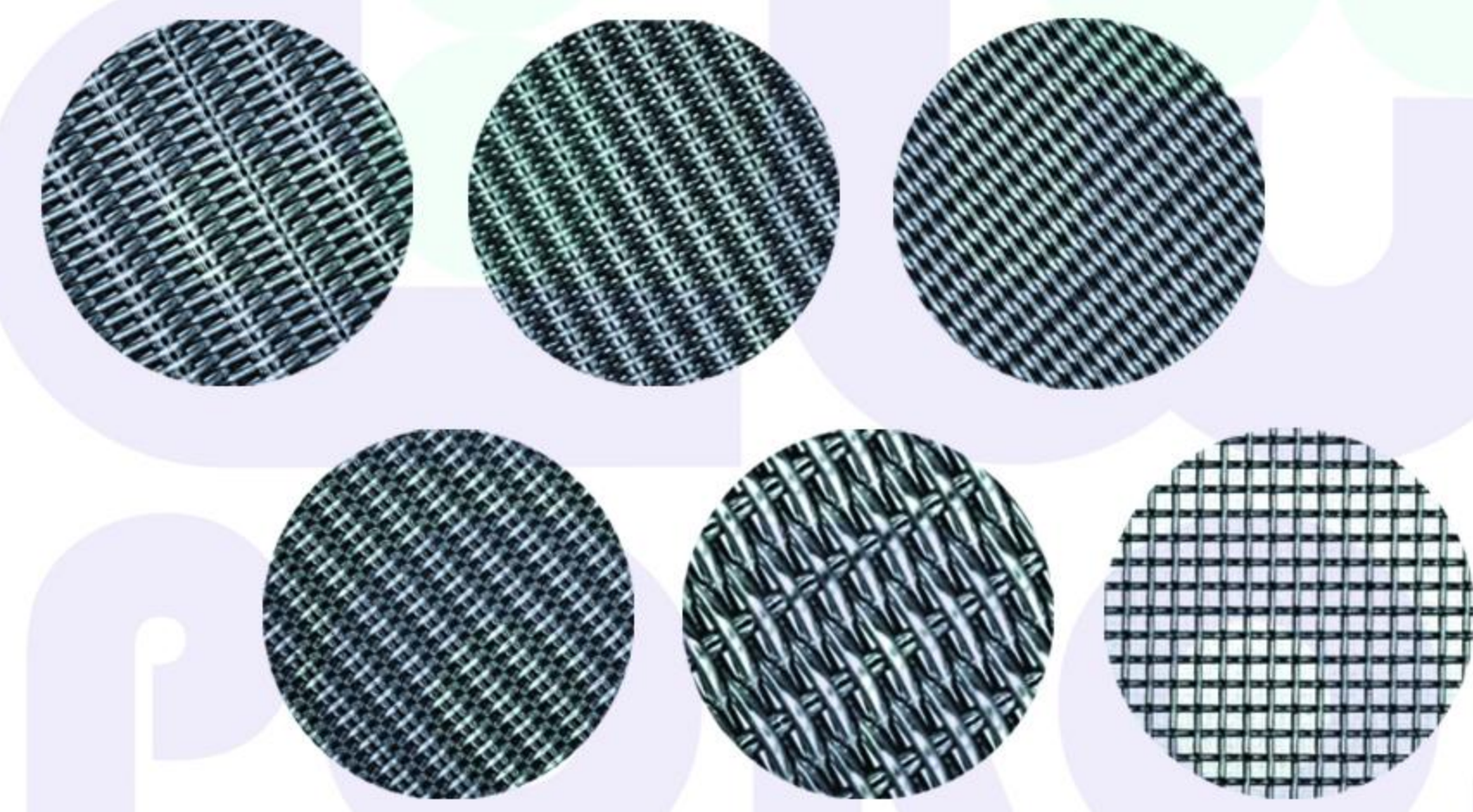
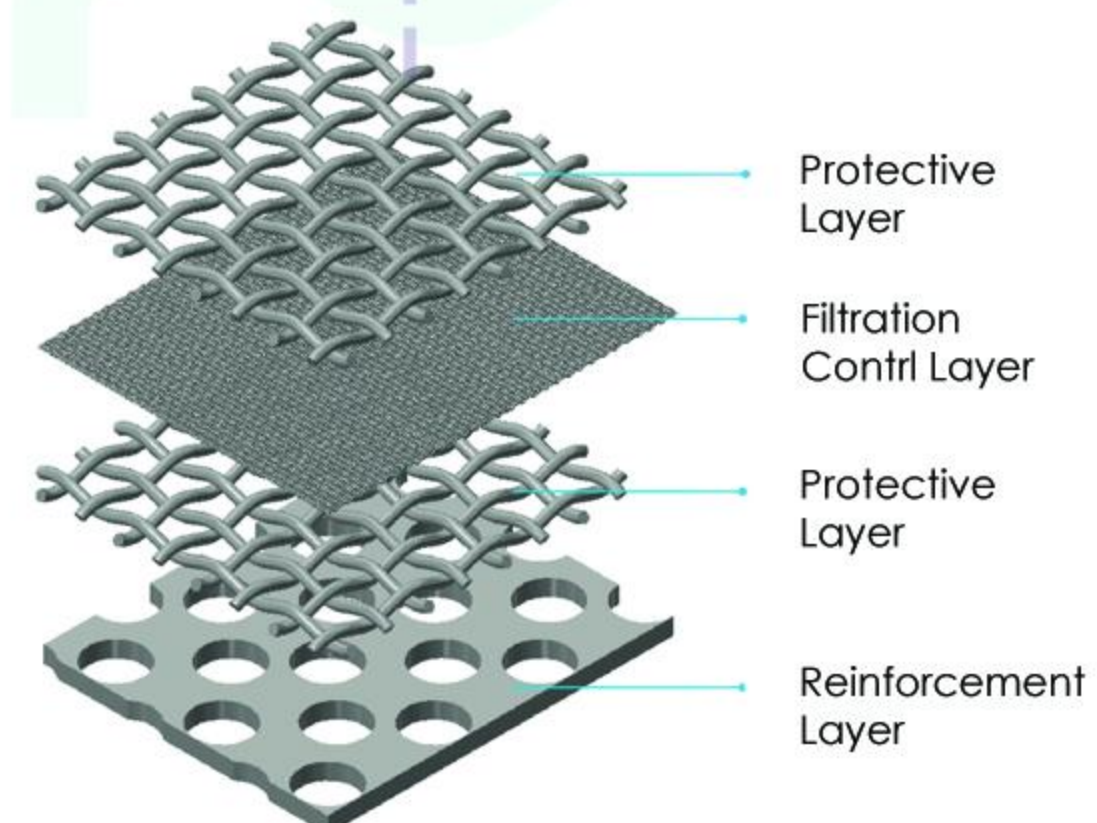
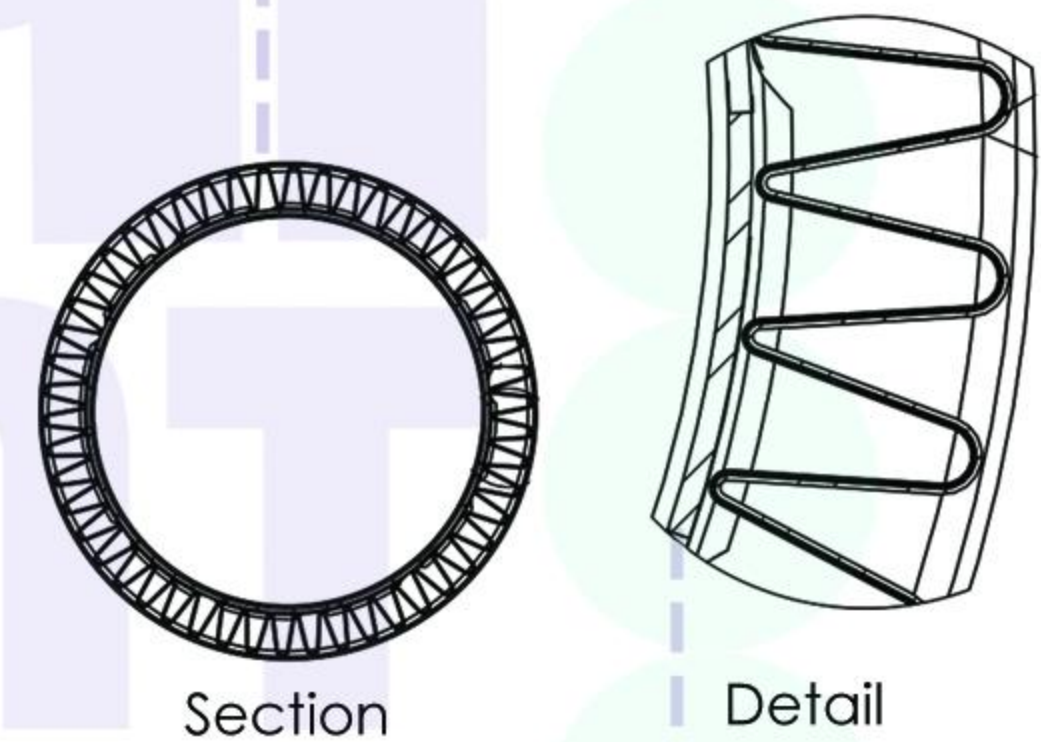
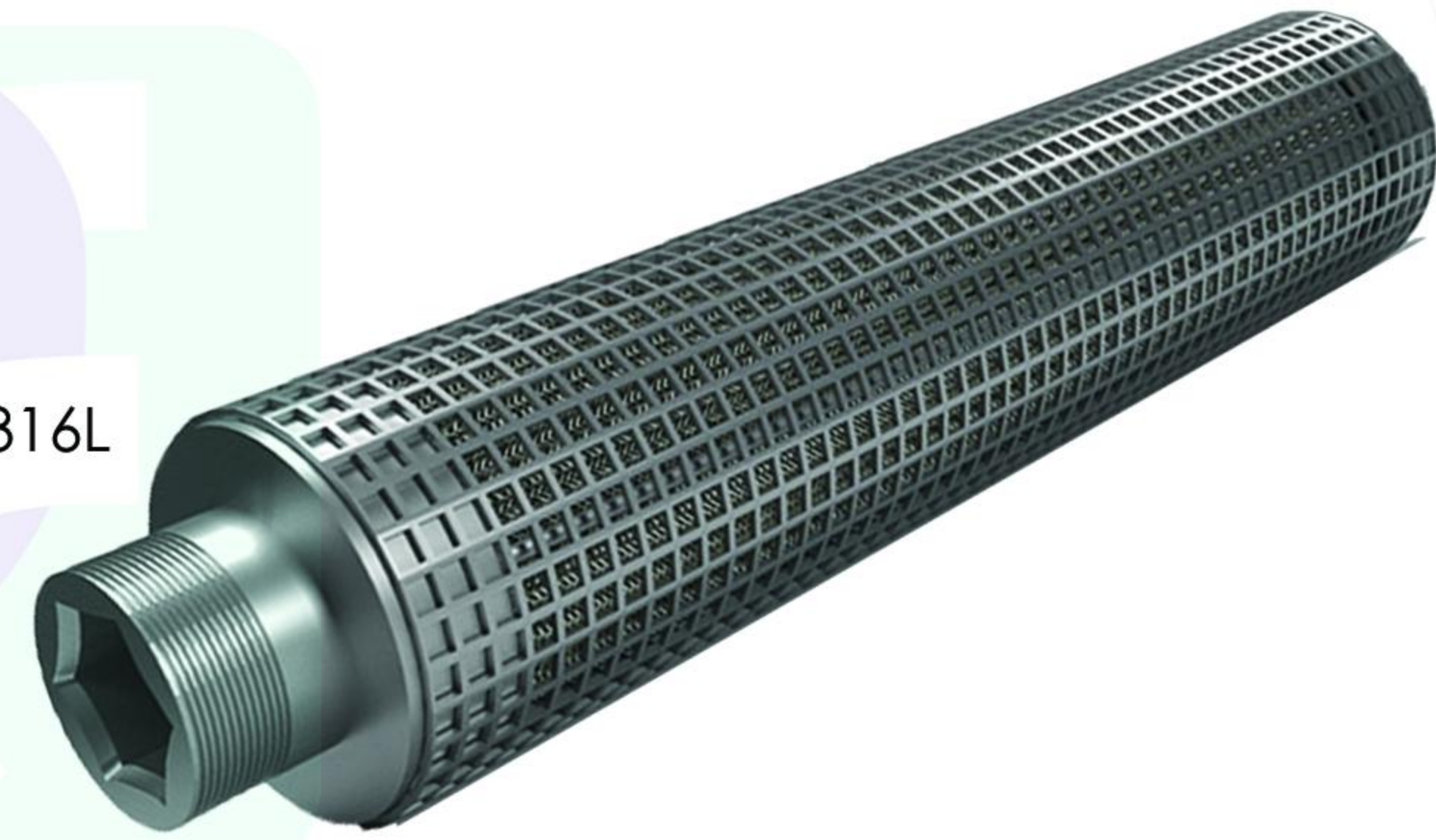
Polluted air and high levels of hydrocarbons and particles

Candle Filters

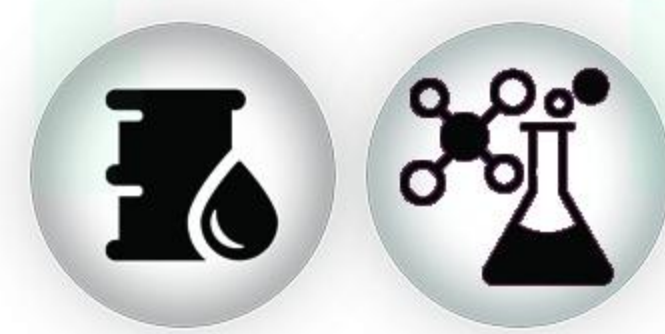
Filter rating range from 3 to 200 micron
Media Type: Stainless Steel Wire Mesh
Caps and Body Material:
Stainless steel AISI 304 and 304L, AISI 316 and 316L
Gasket Material: NBR, FKM, FPM (Viton)

Features:

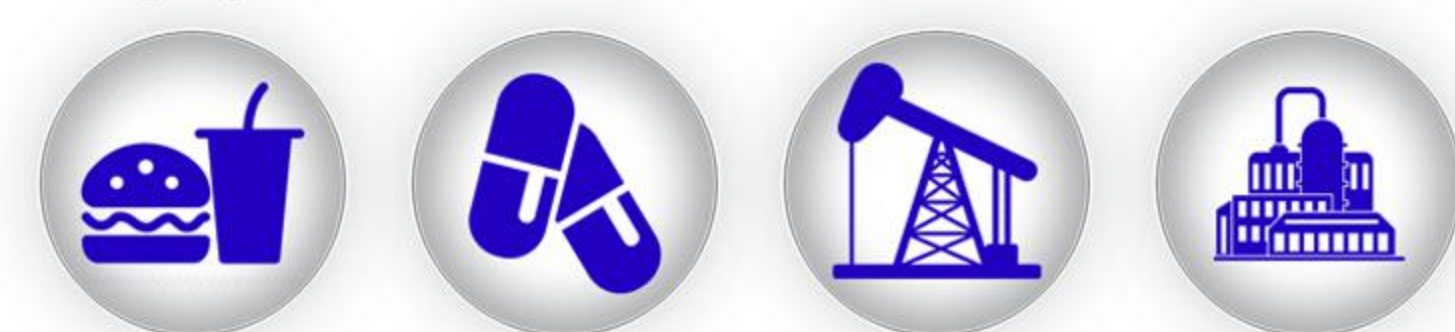
- Proper for Backwashing systems
- Washable & Reusable
- Variety of porous metal filter media
- Wide range of filtration efficiencies
- High dirt holding capacity
- High temperature and corrosion resistance



Filtration of



Applications

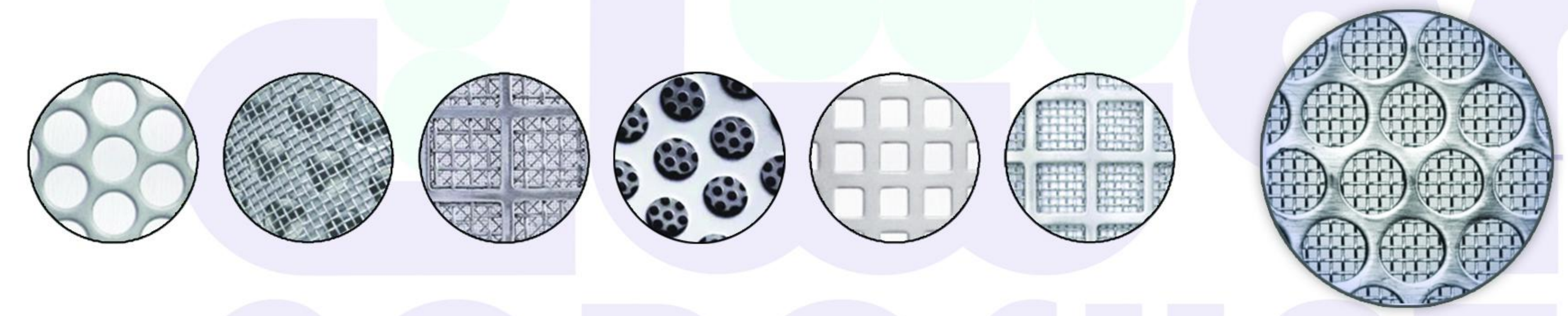
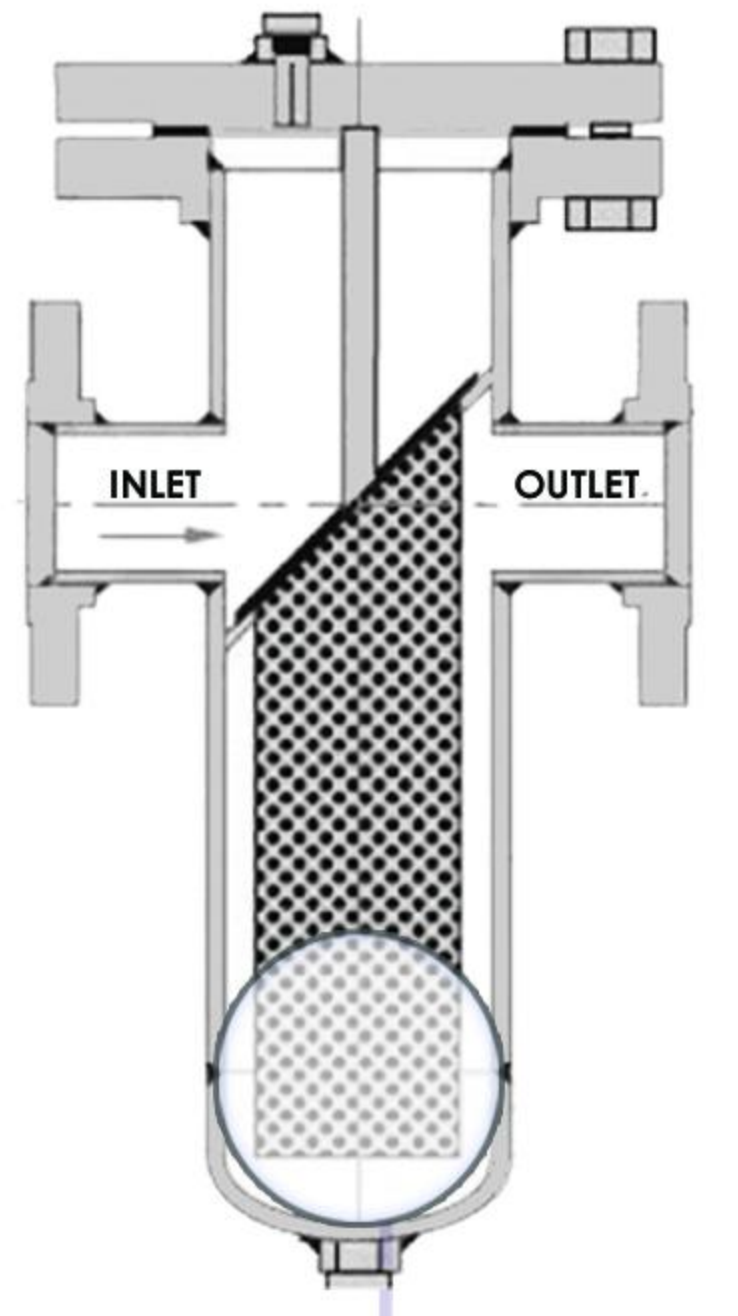


Basket Filters

Filter rating range from 10 – 5000 micron
Media Type: Wire Mesh, Perforated Sheet
Caps and Body Material: stainless steel AISI 304 and 304L,
AISI 316 and 316L, Galvanized Steel

Features:

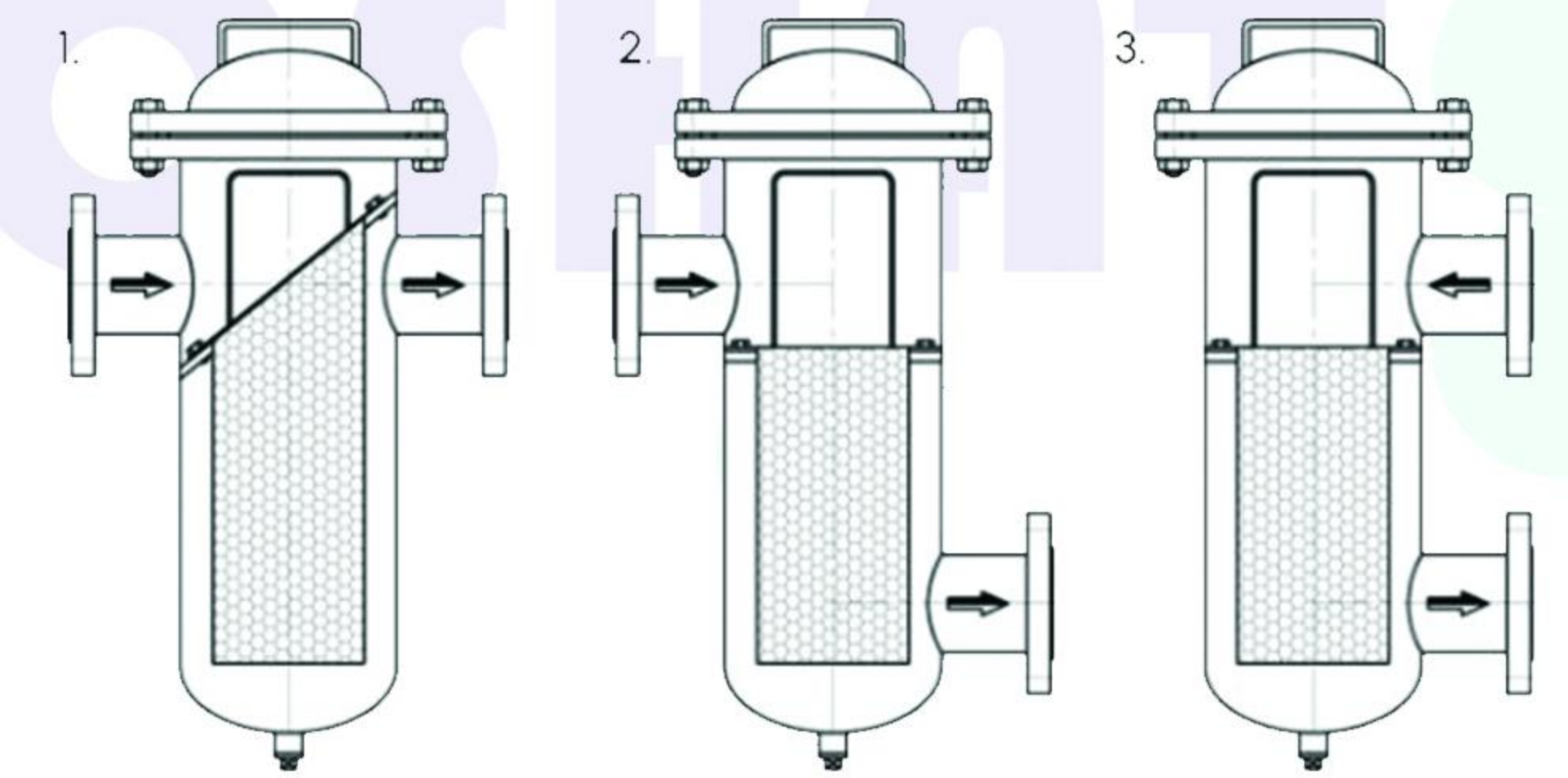
- Washable & Reusable
- variety of porous metal filter media
- Wide range of filtration efficiencies
- High dirt holding capacity
- High temperature and corrosion resistance



Filtration of



Applications



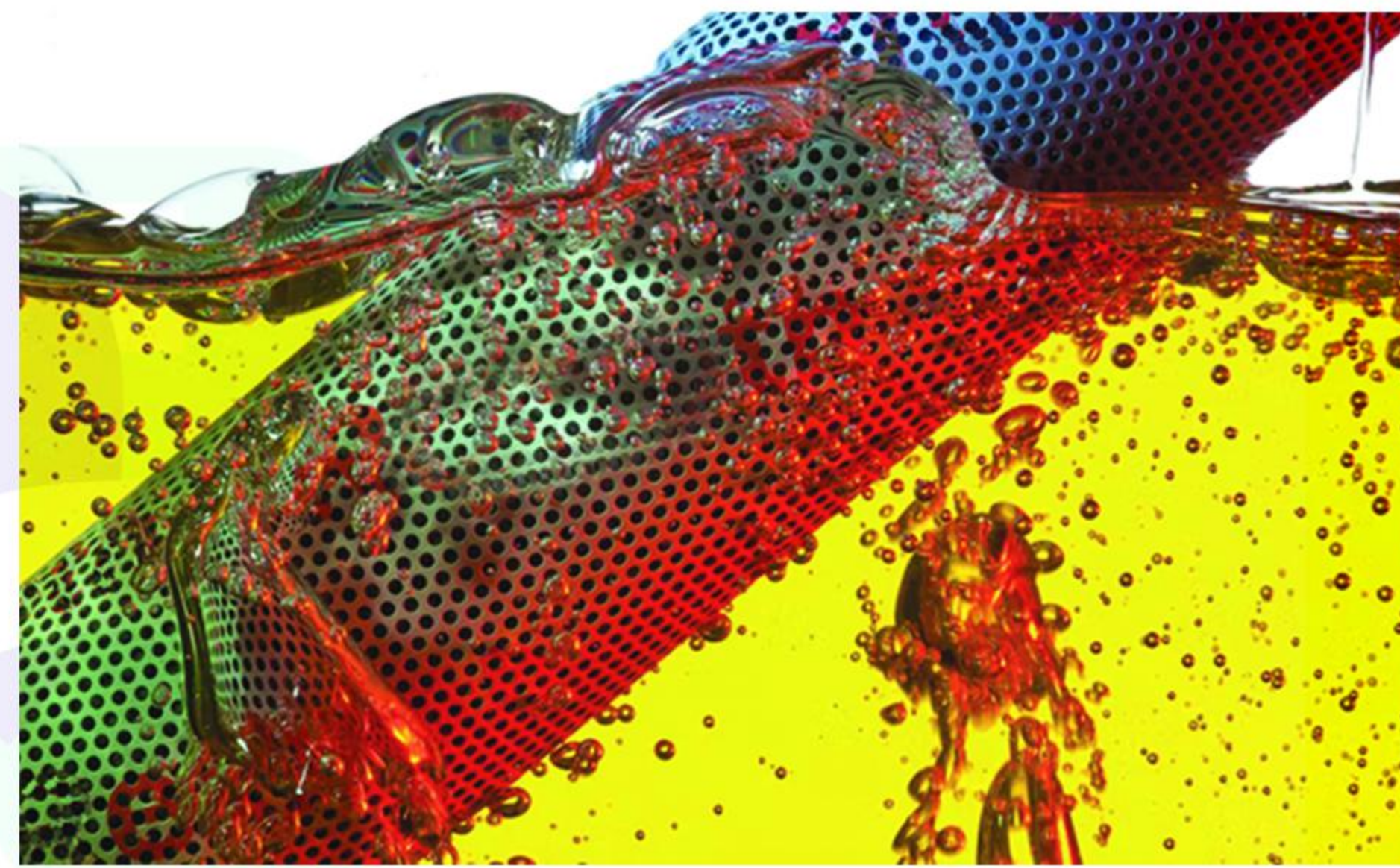
Hydraulic and Lubrication Oil Filter

Media Type: Cellulose, Micro glass Fiber,
Stainless steel wire Mesh
Caps and Body Material: Galvanized Steel,
Stainless Steel, Paint Powder Coated Aluminum
sealing material: NBR, FKM, FPM (Viton)
with/without Bypass

Features:

Wide range of filtration rating (μm)
High dirt holding capacity
Resistant to corrosion
Epoxy-bonded construction
Welded construction for very high pressure
and temperature application

- Return Line Filters
- Pressure Line Filters
- Off-Line Filters
- Suction Hydraulic Filters
- Engine and Turbine Lube Oil Filters



Filtration of



Applications



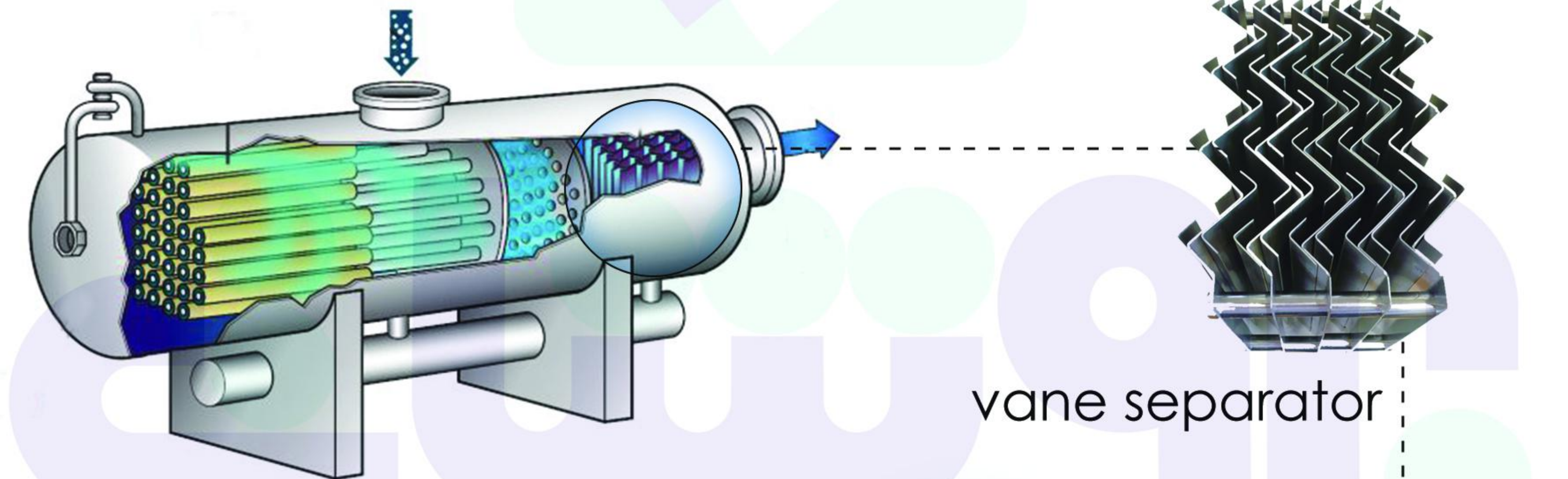
Separation and purification technology

Pressure Vessel

Design Pressure Standard: ANSI 150 to ANSI 900
Design Code: ASME Boiler & Pressure Vessel Code Section VIII Div.1
Construction Material: stainless steel AISI 304 and 304L, AISI 316 and 316L, Carbon Steel

Features

Resistant to corrosion
Code Standards Inspection
Air Testing
Hydro Testing



Separation of



Applications



Separation and purification technology

Spray Dryer

High Efficiency up to 99% @ 1.5 micron
Body Material: stainless steel AISI 304 and 304L
AISI 316 and 316L
Powder Separation System
Feed System
Automatic, PLC

Features:

high speed centrifugal Spray Dryer
Proper for Self Cleaning Systems
Ideal for continuous production Line
Resistant to corrosion



Filteration of



Applications



Bag House Dust Collector

Bag Cages Material: Galvanized Steel
Bag Filter Material:
Cotton
Nylon
Polyester
Polypropylene
PTFE
Glass Fiber

Features:

Variety of Bag Media Options
Proper for Self Cleaning Systems
Modular design for convenient assembly
Easy to install on site
Low energy consumption

Filteration of



Applications

